


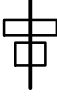



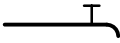
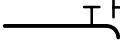
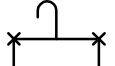

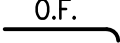





## LIST OF SYMBOLS

	LOOSE JUMPER TYPE STOPCOCK
	GATE VALVE
	STORAGE CISTERN
	FLOAT SWITCH
	BALL VALVE / FLOAT OPERATED VALVE
	NON-RETURN VALVE / CHECK VALVE
	WATER METER
	DRAW OFF POINTS - COLD WATER
	DRAW OFF POINTS - HOT WATER
	DRAW OFF POINT - COLD & HOT WATER
	WASHOUT PIPE
	OVERFLOW PIPE
	PUMP SET
	CALORIFIER
	BOILER



SINK



FLUSHING CISTERN & WATER CLOSET



CHECK METER POSITION (FOR CHECKING AND WASTE DETECTION PURPOSES)



INSTANTANEOUS GAS WATER HEATER



PRESSURE REDUCING VALVE (SMALL END DENOTES LOW PRESSURE)



PRESSURE RELIEF VALVE / SAFETY VALVE



TEMPERATURE RELIEF VALVE



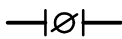
COMBINED TEMPERATURE AND PRESSURE RELIEF VALVE



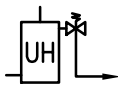
ANTI-VACUUM VALVE



EXPANSION VESSEL



BUTTERFLY VALVE



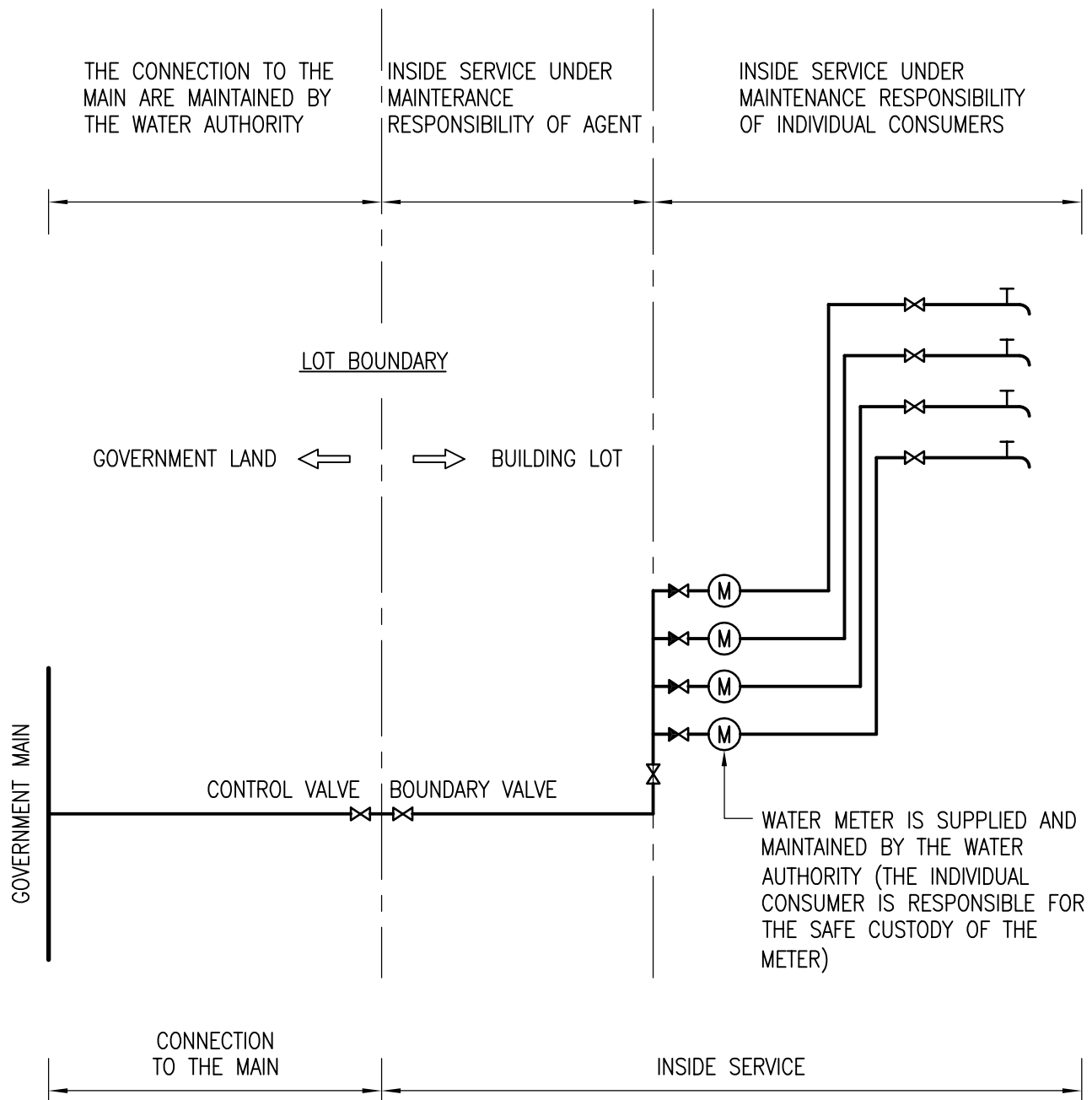
UNVENTED ELECTRIC THERMAL STORAGE WATER HEATER



PRESSURE TYPE THERMAL STORAGE WATER HEATER



NON-PRESSURE TYPE HEATER

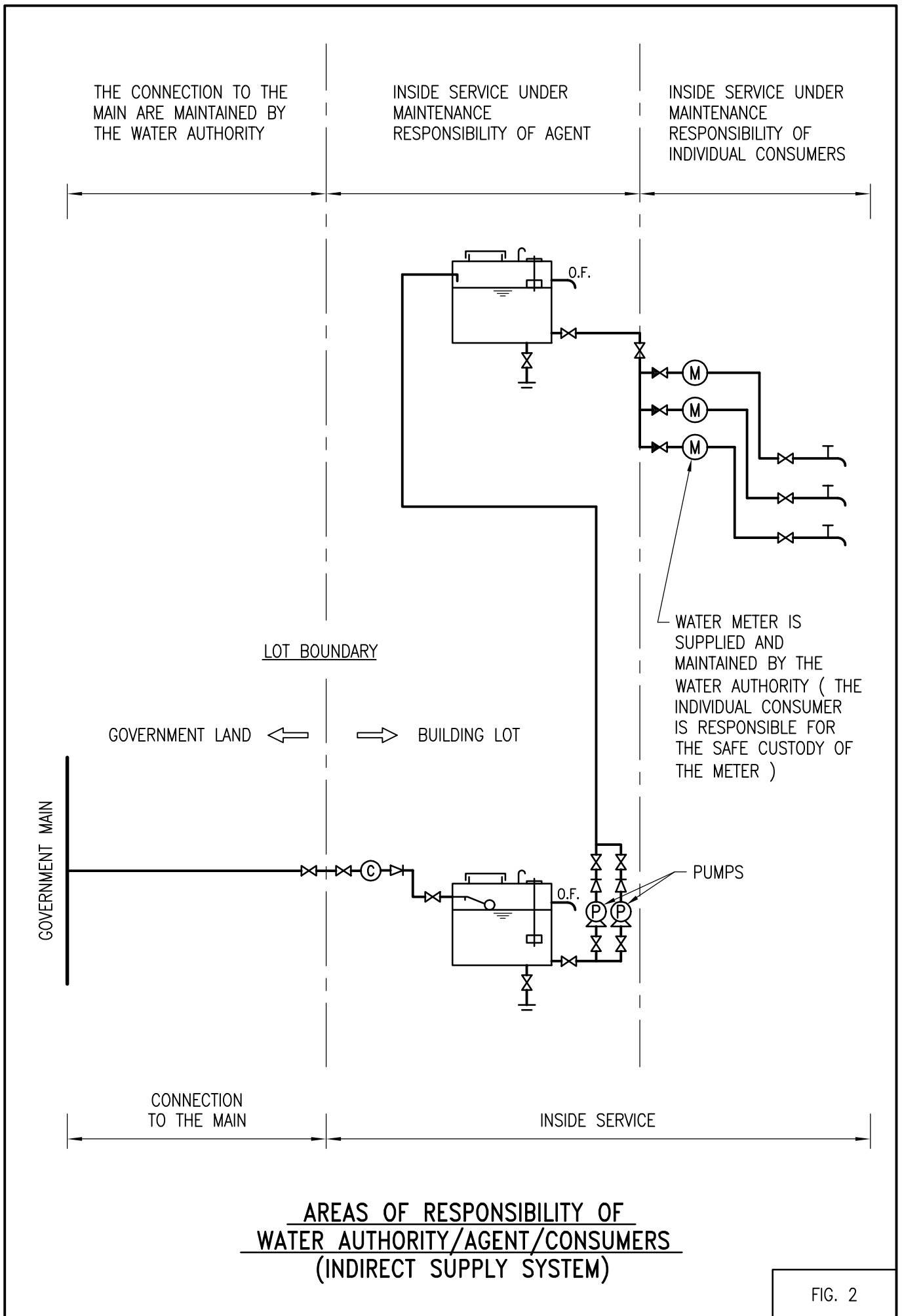


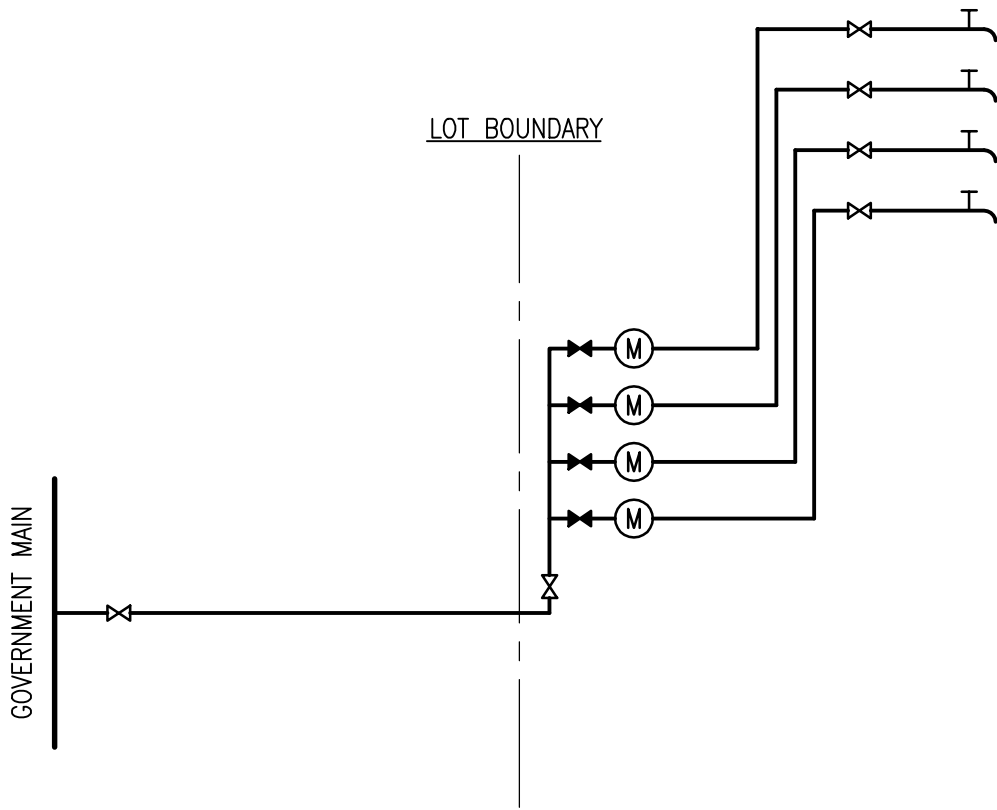
NOTE :

1. THE INSIDE SERVICE WITHIN THE LOT BOUNDARY IS MAINTAINED BY THE CONSUMER, EXCEPT THE COMMON PARTS OF THE INSIDE SERVICE BEING THE RESPONSIBILITY OF THE AGENT.

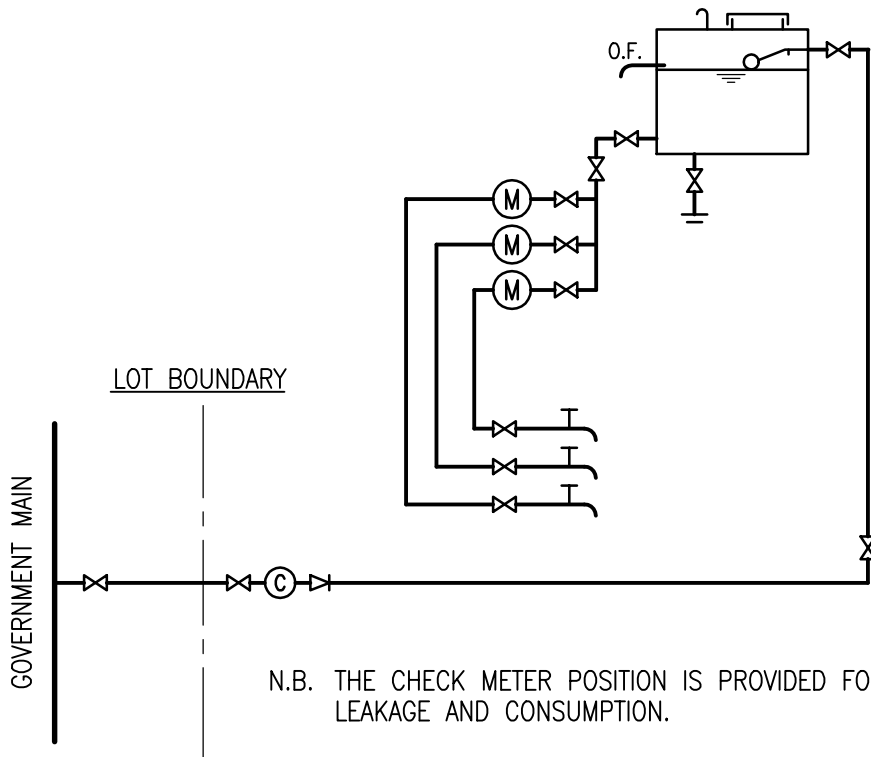
AREAS OF RESPONSIBILITY OF  
WATER AUTHORITY/AGENT/CONSUMERS  
(DIRECT SUPPLY SYSTEM)

FIG. 1





WITHOUT STORAGE TANK

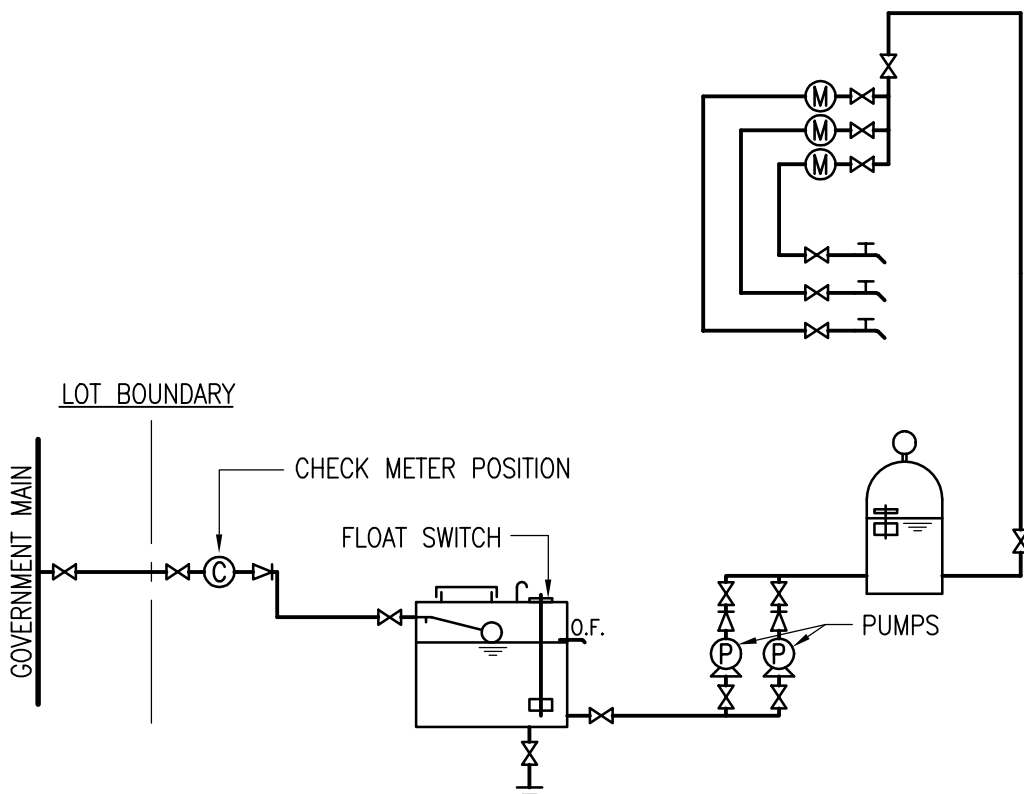


N.B. THE CHECK METER POSITION IS PROVIDED FOR CHECKING LEAKAGE AND CONSUMPTION.

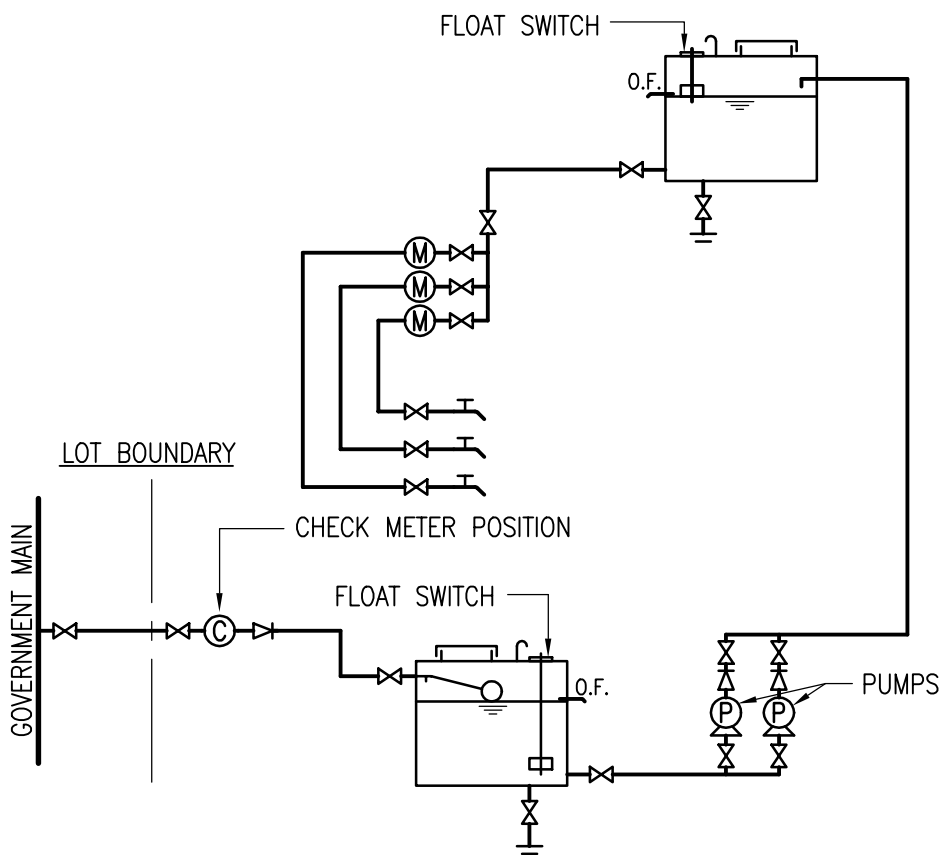
WITH STORAGE TANK

DIRECT SUPPLY SYSTEM

FIG. 5



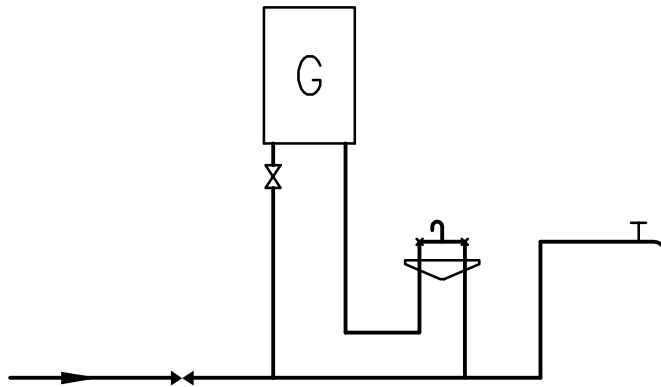
HYDRO PNEUMATIC PUMP SYSTEM



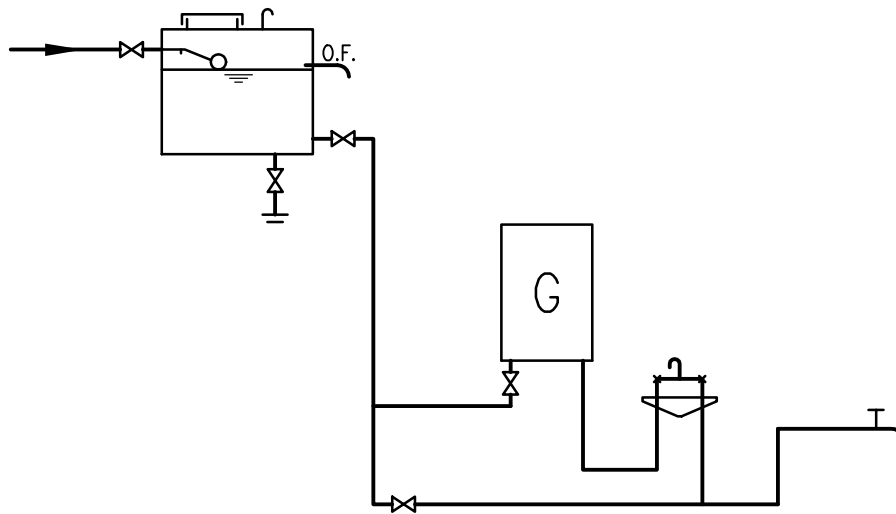
SUMP AND PUMP SYSTEM

INDIRECT SUPPLY SYSTEM

FIG. 6

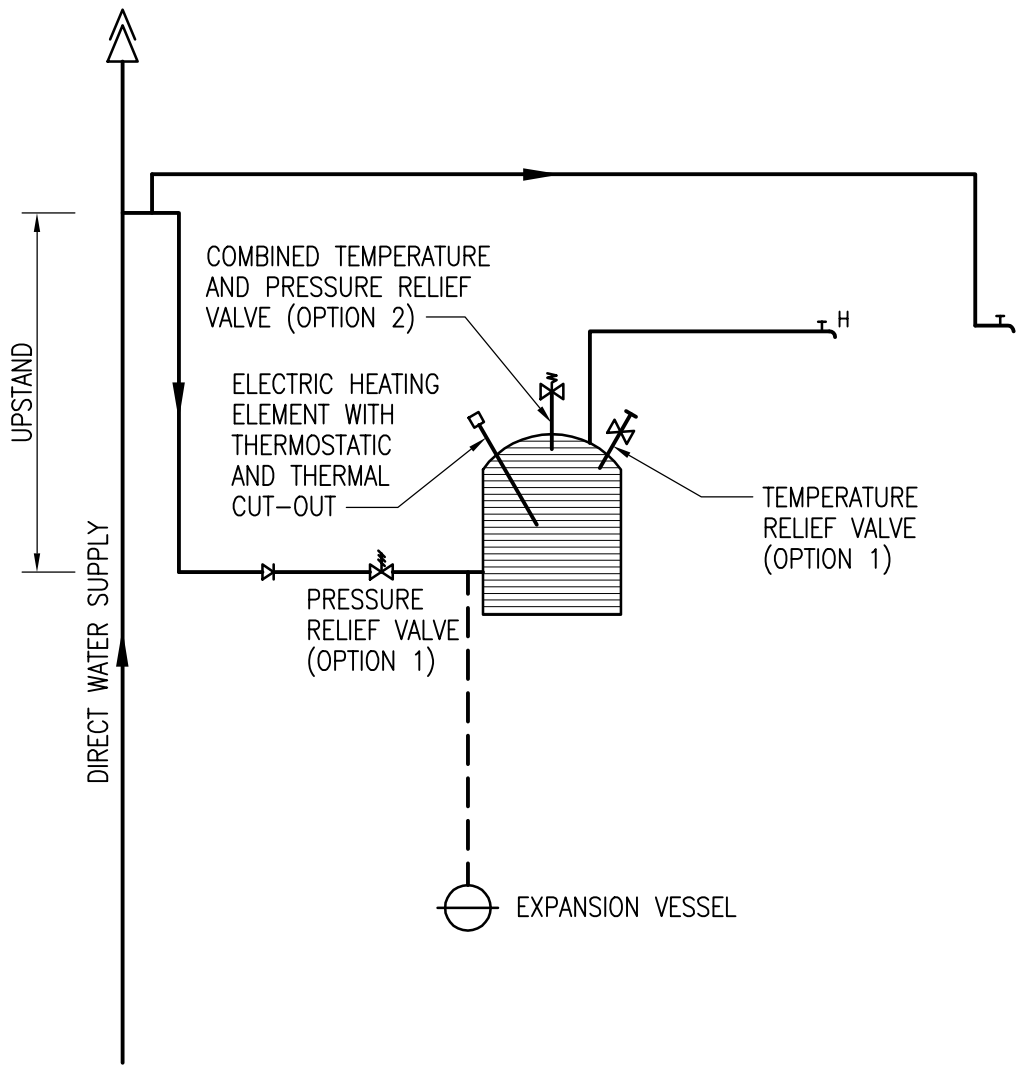


INSTANTANEOUS GAS WATER HEATER  
CONNECTED DIRECTLY TO MAINS SUPPLY



INSTANTANEOUS GAS WATER HEATER  
CONNECTED INDIRECTLY TO MAINS SUPPLY

INSTANTANEOUS GAS WATER HEATER



LEGEND :

--- OPTIONAL

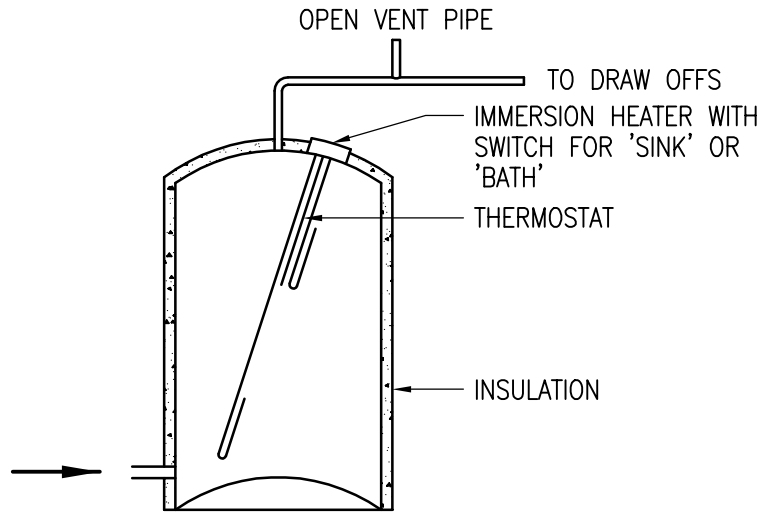
NOTES :

1. THE FACTORY TEST PRESSURE OF THE HEATER SHALL BE IN EXCESS OF 1.5 TIMES THE MAXIMUM STATIC PRESSURE AT THE MAINS WATER SUPPLY POINT.
2. A COMBINED TEMPERATURE AND PRESSURE RELIEF VALVE (OPTION 2) MAY BE USED IN LIEU OF A TEMPERATURE RELIEF VALVE AND A PRESSURE RELIEF VALVE (OPTION 1).
3. THE SAFETY DEVICES ARE UNDER THE CONTROL OF THE ELECTRICAL PRODUCTS (SAFETY) REGULATION ADMINISTERED BY THE ELECTRICAL AND MECHANICAL SERVICES DEPARTMENT.
4. EXPANSION VESSEL IS ONLY REQUIRED WHEN A NON-RETURN VALVE OR A PRESSURE REDUCING VALVE OF THE NON-BACKFLOW TYPE IS FITTED IN THE COLD WATER INLET.

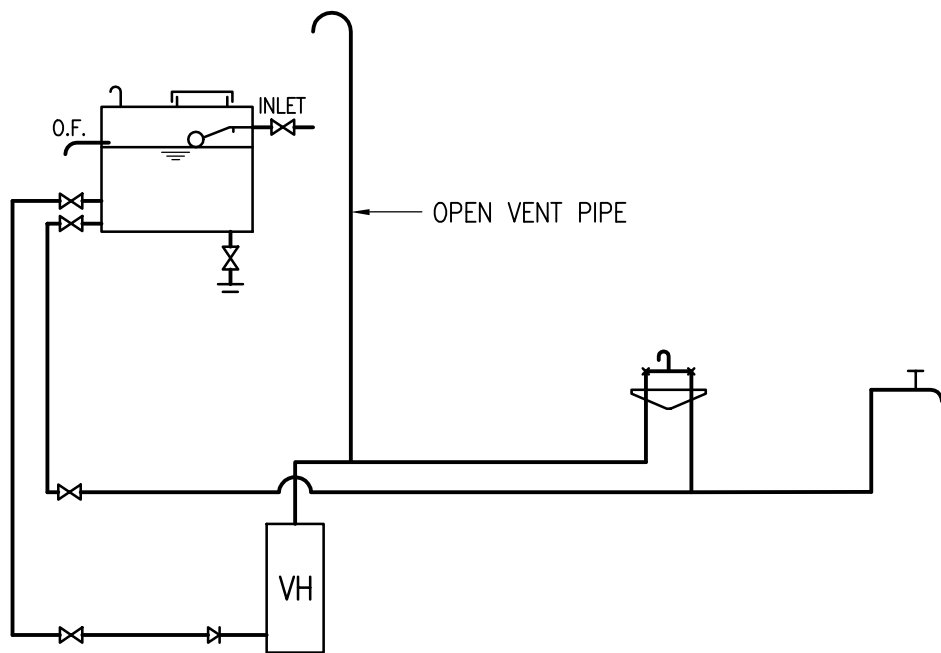
**LAYOUT OF UNVENTED ELECTRIC THERMAL STORAGE TYPE WATER HEATER**

FIG. 10





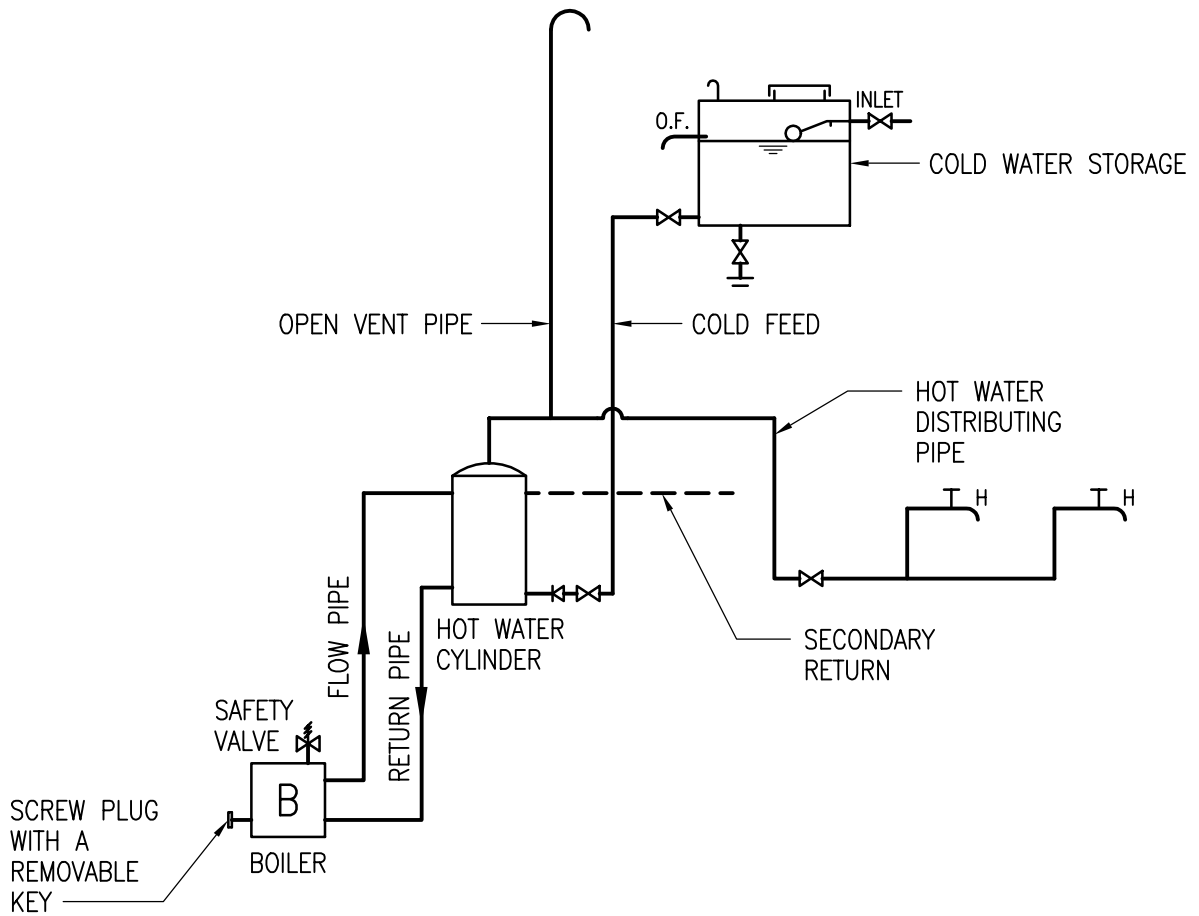
ESSENTIAL COMPONENTS OF A PRESSURE TYPE THERMAL STORAGE WATER HEATER



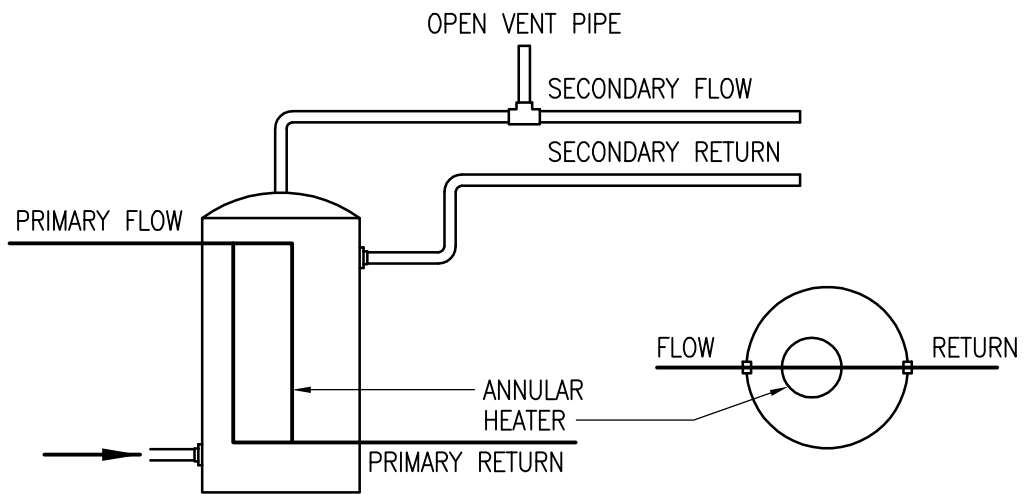
LAYOUT OF A PRESSURE TYPE THERMAL STORAGE WATER HEATER

NOTE: THIS TYPE OF HEATER SHALL BE SUPPLIED FROM A STORAGE CISTERN, EXCEPT IT IS INSTALLED IN FLATS SUPPLIED THROUGH THE INDIRECT OR SUMP AND PUMP SYSTEM.

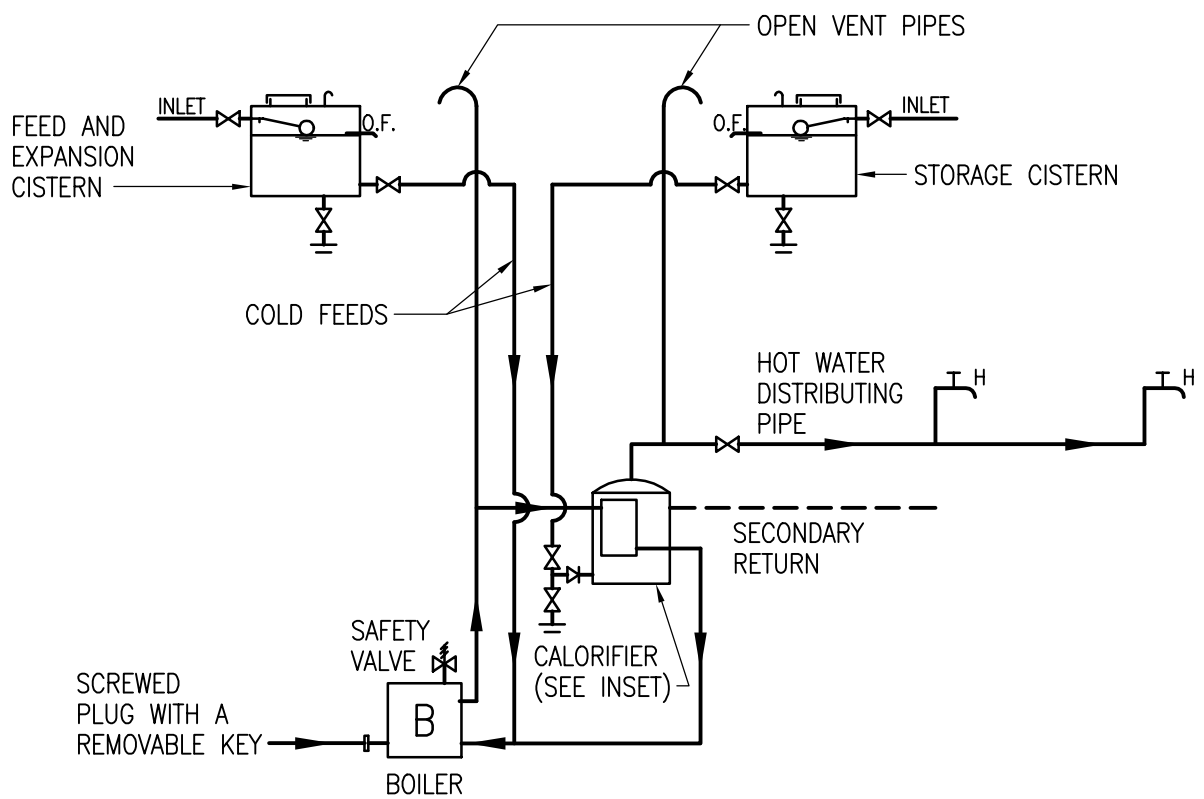
PRESSURE TYPE THERMAL STORAGE WATER HEATER



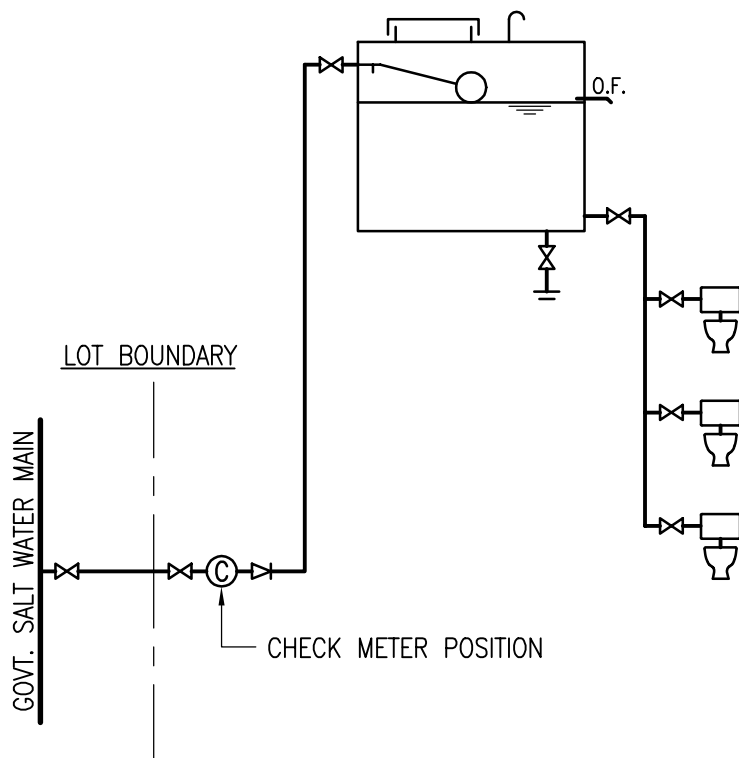
DIRECT CENTRALISED HOT WATER SYSTEM



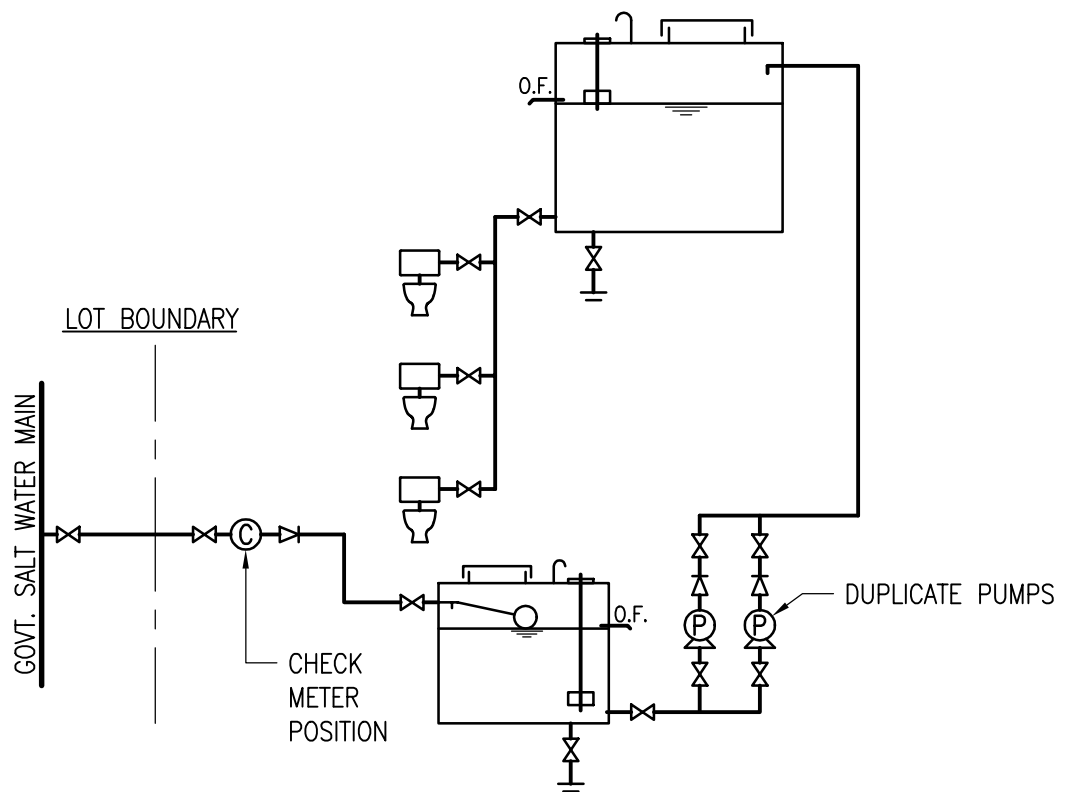
**ESSENTIAL COMPONENT OF A CALORIFIER**



**INDIRECT CENTRALISED HOT WATER SYSTEM**

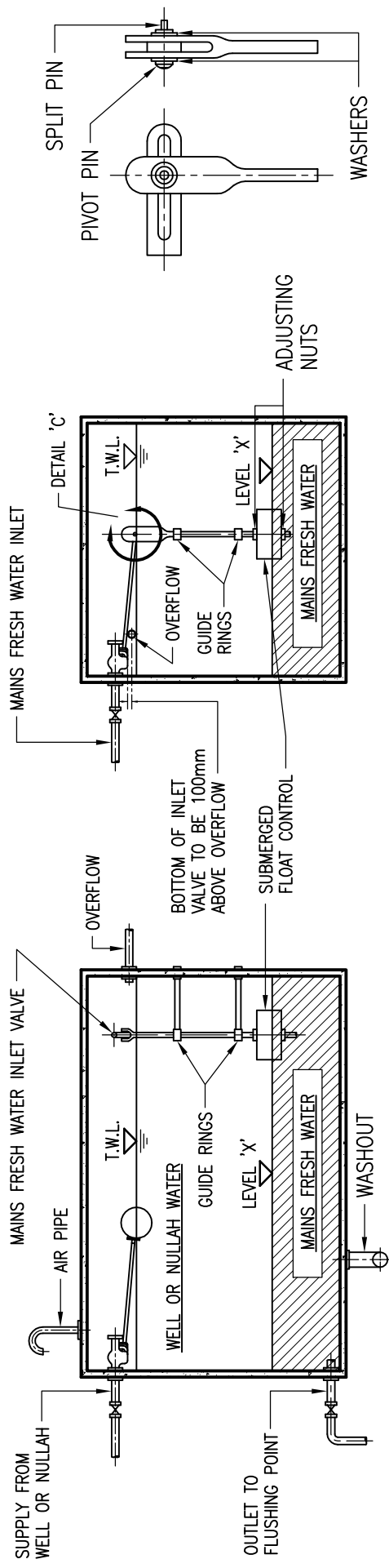


DIRECT SALT WATER FLUSHING SUPPLY SYSTEM



INDIRECT SALT WATER FLUSHING SUPPLY SYSTEM

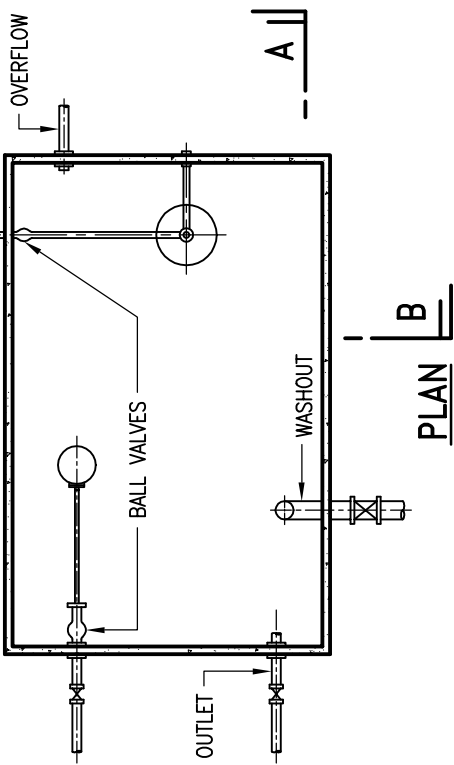
SALT WATER FLUSHING SUPPLY SYSTEM



**SECTION A-A**

**SECTION B-B**

**DETAIL 'C'**



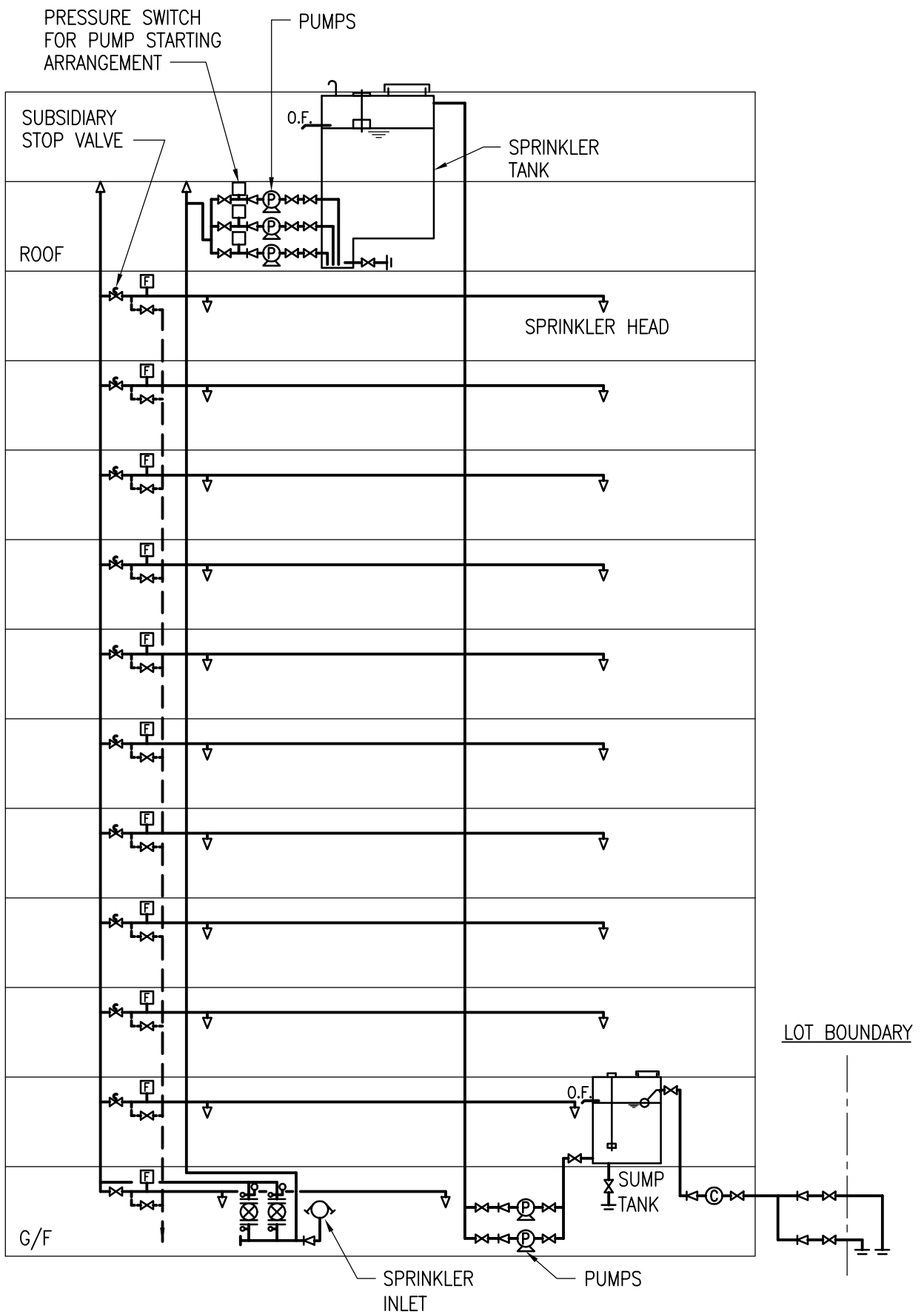
**PLAN**

**NOTES :**

1. VOLUME BELOW LEVEL 'X' FOR MAINS FRESH WATER STORAGE SHALL BE APPROVED BY WATER AUTHORITY.
2. OVERFLOW SHALL BE TWICE THE DIAMETER OF LARGEST INLET OR 40mm DIAMETER WHICHEVER BE THE GREATER.
3. MATERIALS USED SHALL BE CAPABLE OF WITHSTANDING THE CORROSIVE ACTION OF SALT WATER.
4. THIS DRAWING IS EXTRACTED FROM W1543/5B.

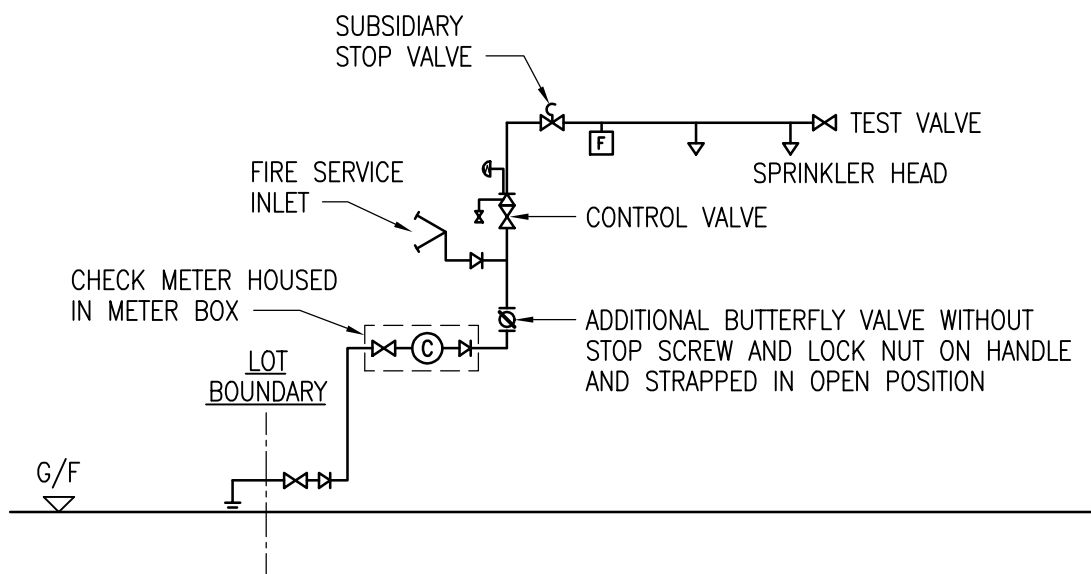
**FLUSHING SUPPLY STORAGE CISTERN – MIXED SUPPLY**

(NOT TO SCALE)

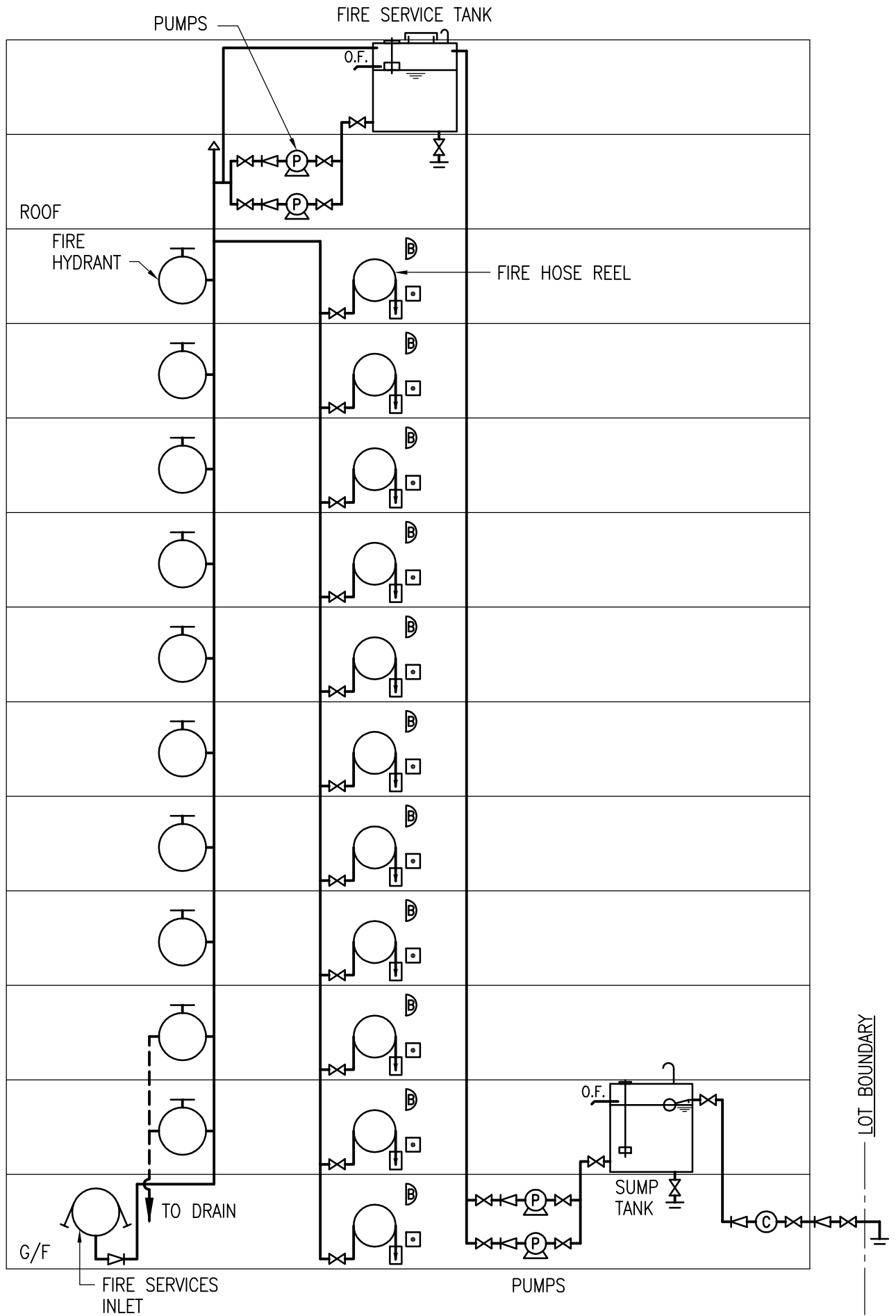


**LAYOUT DRAWING FOR SPRINKLER SYSTEM**

FIG. 16



LAYOUT DRAWING FOR IMPROVISED SPRINKLER SYSTEM



**LAYOUT DRAWING FOR FIRE HYDRANT/HOSE REEL SYSTEM**

FIG. 18